

- DIAGRAM NOT TO SCALE
- CONTACT NOLIN RECC LINE DESIGN DEPARTMENT BEFORE STARTING ANY WORK
- CALL 811 BEFORE DIGGING



MAIN OFFICE: 270-765-6153

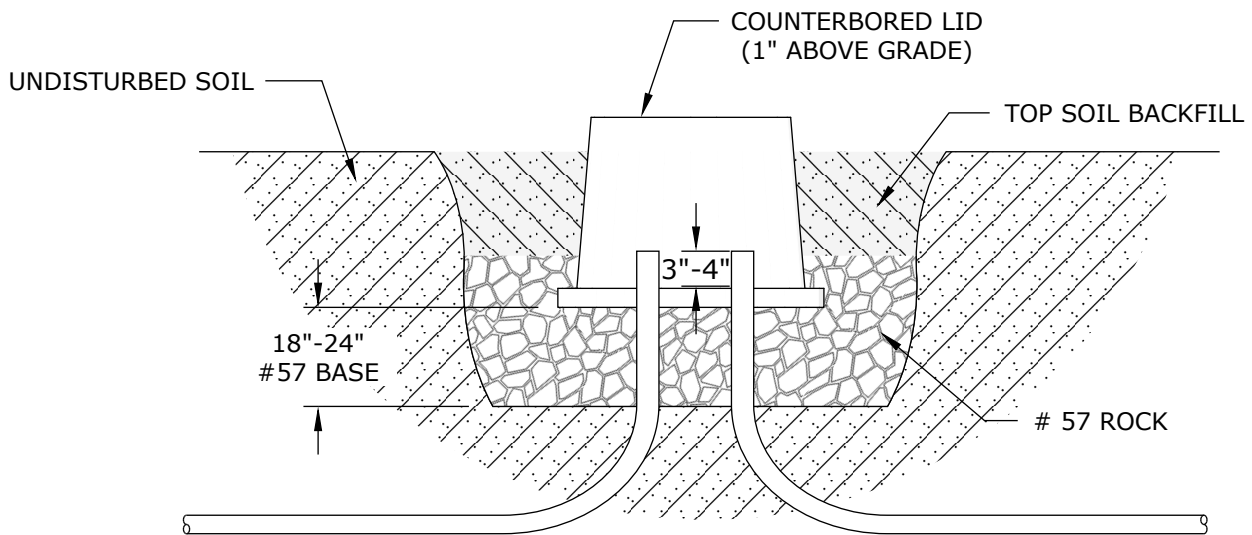
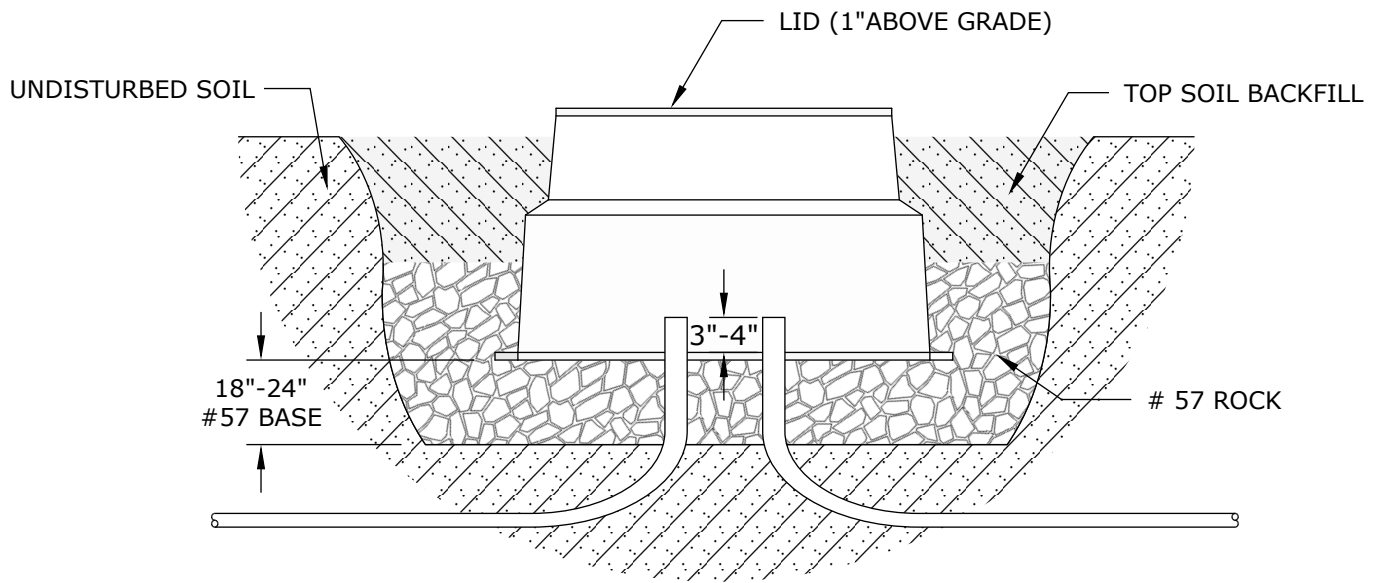
DRAWN BY:
MATTHEW
VULETA

APPROVED BY:
NOLIN RECC
LINE DESIGN

FLUSH MOUNTED
JUNCTION BOX
INSTALLATION

LAST REVISION

12/21/2020



- DIAGRAM NOT TO SCALE
- CONTACT NOLIN RECC LINE DESIGN DEPARTMENT BEFORE STARTING ANY WORK
- CALL 811 BEFORE DIGGING

NOTE

Refer to Nolin's trench profile diagram for conduit size, ditch depth, and other necessary information.



MAIN OFFICE: 270-765-6153

DRAWN BY:
MATTHEW
VULETA
APPROVED BY:
NOLIN RECC
LINE DESIGN

**FLUSH MOUNTED
JUNCTION BOX
INSTALLATION**

LAST REVISION

12/21/2020