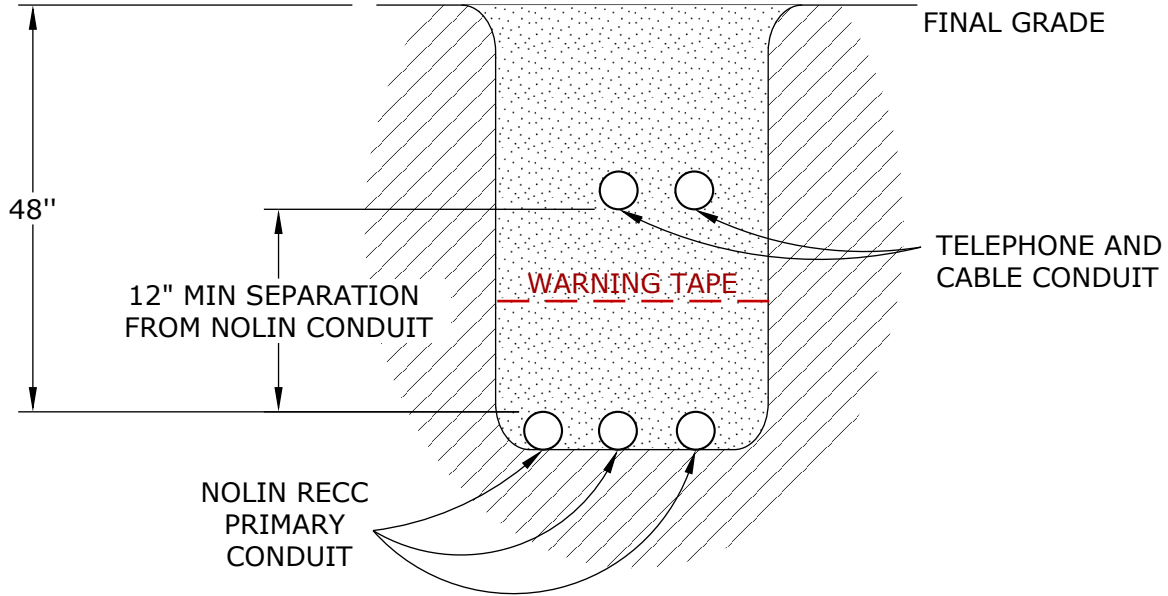
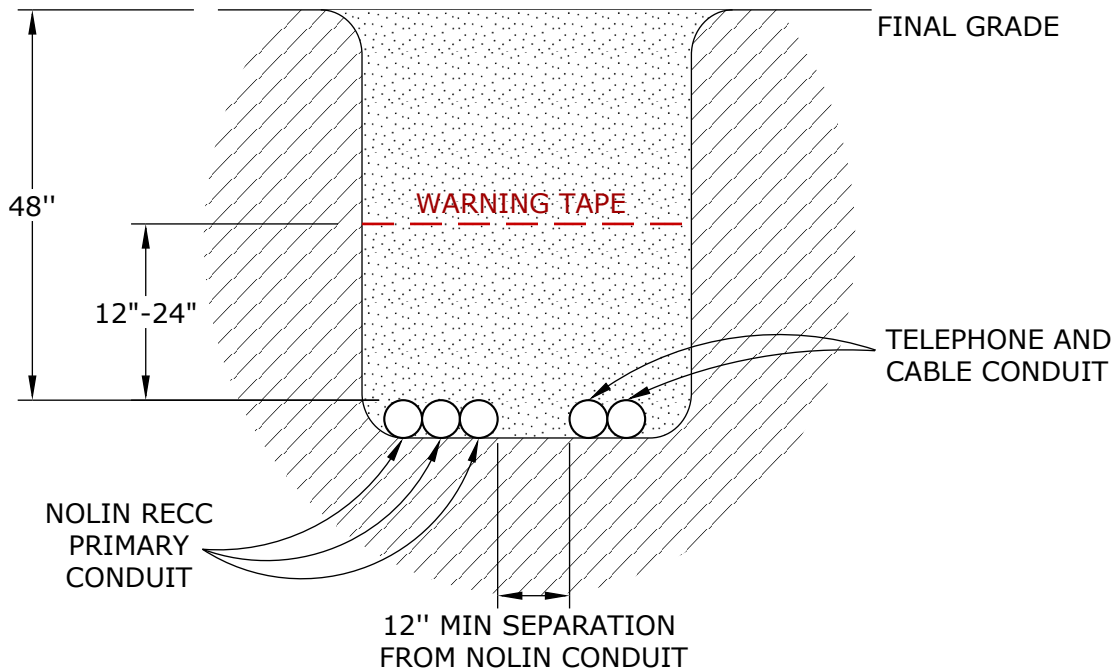


PRIMARY TRENCH PROFILES (7,200 VOLT)

VERTICAL OPTION



HORIZONTAL OPTION



- DIAGRAM NOT TO SCALE
- CONTACT NOLIN RECC LINE DESIGN DEPARTMENT BEFORE STARTING ANY WORK
- CALL 811 BEFORE DIGGING

NOTES

Ditch must be wide enough to accommodate conduits.

Sewer, gas, and water are not allowed in the same ditch/trench as electric conduit(s).

PAGE 1 OF 3



MAIN OFFICE: 270-765-6153

DRAWN BY:
MATTHEW
VULETA

APPROVED BY:
NOLIN RECC
LINE DESIGN

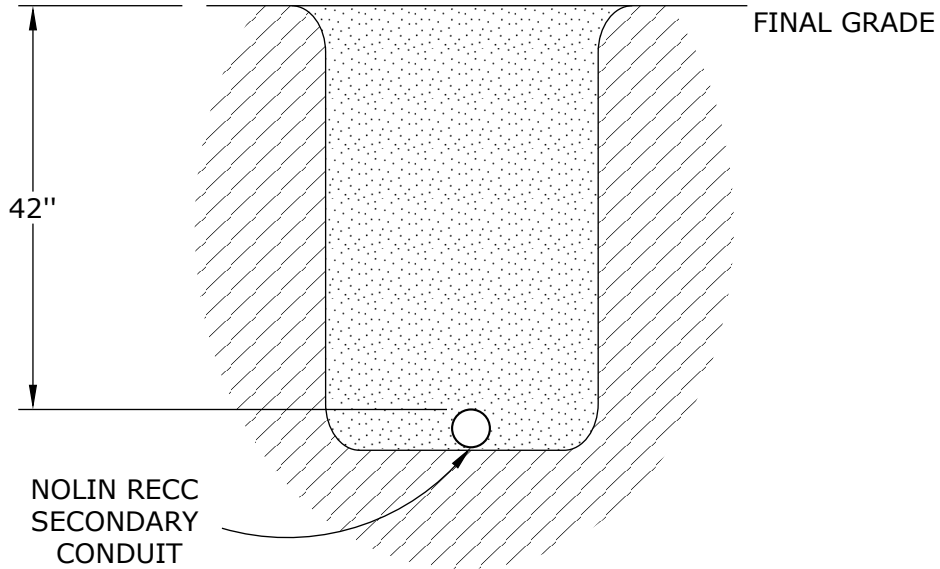
TRENCH PROFILES

LAST REVISION

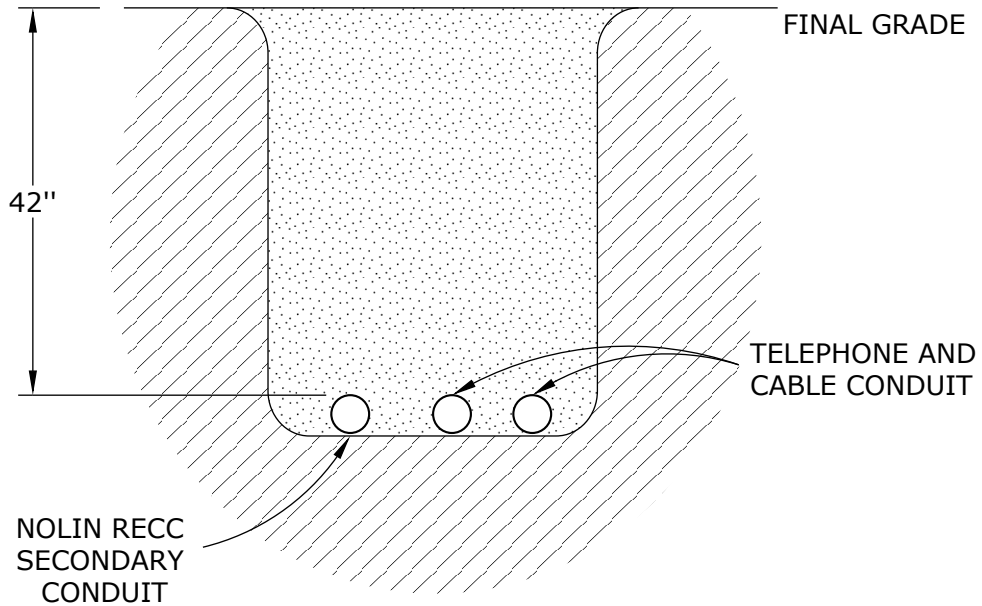
12/17/2020

SECONDARY TRENCH PROFILES

VERTICAL OPTION



HORIZONTAL OPTION



- DIAGRAM NOT TO SCALE
- CONTACT NOLIN RECC LINE DESIGN DEPARTMENT BEFORE STARTING ANY WORK
- CALL 811 BEFORE DIGGING

NOTES

Ditch must be wide enough to accommodate all conduits. Otherwise, no additional separation is required.

Sewer, gas, and water are not allowed in the same ditch/trench as electric conduit(s).

PAGE 2 OF 3



MAIN OFFICE: 270-765-6153

DRAWN BY:
MATTHEW
VULETA

APPROVED BY:
NOLIN RECC
LINE DESIGN


TRENCH PROFILES

LAST REVISION

12/17/2020

TYPICAL TRENCH

1. Before digging dial (811) for underground utility locating. Kentucky Law requires area to be marked at least 2 business days prior to digging.
2. All trenches must have the following depths to top of conduits:
 - a. 48" for primary
 - b. 42" for secondary
3. If trench depth cannot be achieved, contact Nolin's Line Design Department.
4. When trenching, the following separations must be maintained:
 - a. 12" min clearance between communications and electric lines in primary trenches. No minimum clearance required in secondary trenches.
 - b. Water, gas, and sewer lines are not permissible in the same trench as the electric conduit.
5. If the trench is dug through rough, rocky terrain, the conduit must be bedded with a minimum of 4" of sand.
6. All elbows (above and below ground) and conduit above ground shall be schedule 80 PVC. Schedule 40 PVC conduit is only acceptable below ground.
7. All primary conduits (7200V) must be a minimum of 2" diameter with 36" radius long sweeping elbows. Specific jobs may require larger conduits to accommodate larger wire sizes or longer pulls, as specified by Nolin. Please call Nolin's Line Design Department prior to installation.
8. Secondary (120/240V) conduit for a 200-amp service must be a minimum of 2 1/2" diameter, with 24" or 36" radius long sweeping elbows. Specific jobs may require larger conduits to accommodate larger wire sizes or longer pulls, as specified by Nolin. Please call Nolin's Line Design Department prior to installation.
9. Secondary (120/240V) conduit for a 400-amp service must be a minimum of 3" diameter, with 24" or 36" radius long sweeping elbows. Please call Nolin's Line Design Department prior to installation.
10. All primary and secondary conduit installations must be approved by Nolin's Line Design Department prior to covering conduit.
11. All underground conduit must have pull string installed (150 lbs. test min).
12. No more than two 90-degree elbows are allowed in one run of conduit.
13. Conduit shall not be heated to bend.
14. Where transformers and primary or secondary junction boxes are to be installed, reference the "Diagrams and Specifications" link on Nolin's website for other pertinent diagrams and specifications.
15. After the trench is dug and conduit installed with pull string, call Nolin's Line Design Department (270-765-6153) to have an inspection scheduled.
16. After the trench and the conduit have passed inspection, the trench may be backfilled.
17. Contact Nolin's Line Design Department with any questions about diagrams and specifications.

PAGE 3 OF 3		
 <small>A Touchstone Energy® Cooperative</small> MAIN OFFICE: 270-765-6153	DRAWN BY: MATTHEW VULETA	TRENCH PROFILES
	APPROVED BY: NOLIN RECC LINE DESIGN	