

- DIAGRAM NOT TO SCALE
- CONTACT NOLIN RECC LINE DESIGN DEPARTMENT BEFORE STARTING ANY WORK
- CALL 811 BEFORE DIGGING



MAIN OFFICE: 270-765-6153

PAGE 1 OF 2

DRAWN BY:  
MATTHEW  
VULETA

APPROVED BY:  
NOLIN RECC LINE  
DESIGN

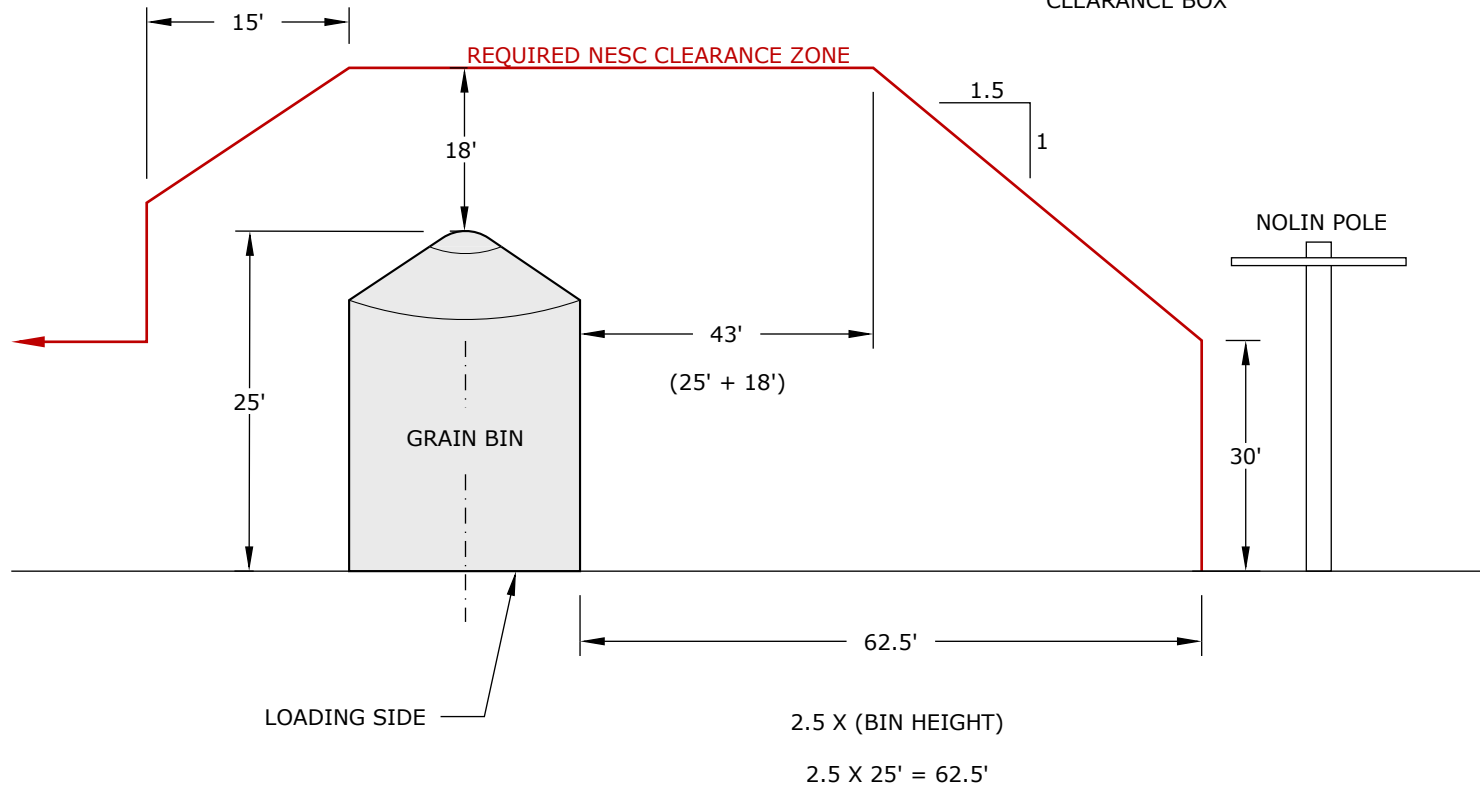
## GRAIN BIN CLEARANCE REQUIREMENTS

LAST REVISION

10/06/2020

## EXAMPLE DIMENSIONS

PER NESC RULE 234F2; 1.5' OF ADDITIONAL CLEARANCE IS REQUIRED FOR EACH 1' FROM THE NEUTRAL LINE TO THE TOP OF THE CLEARANCE BOX



- DIAGRAM NOT TO SCALE
- CONTACT NOLIN RECC LINE DESIGN DEPARTMENT BEFORE STARTING ANY WORK
- CALL 811 BEFORE DIGGING



MAIN OFFICE: 270-765-6153

PAGE 2 OF 2

DRAWN BY:  
MATTHEW  
VULETA

APPROVED BY:  
NOLIN RECC LINE  
DESIGN

### GRAIN BIN CLEARANCE REQUIREMENTS

LAST REVISION

10/06/2020